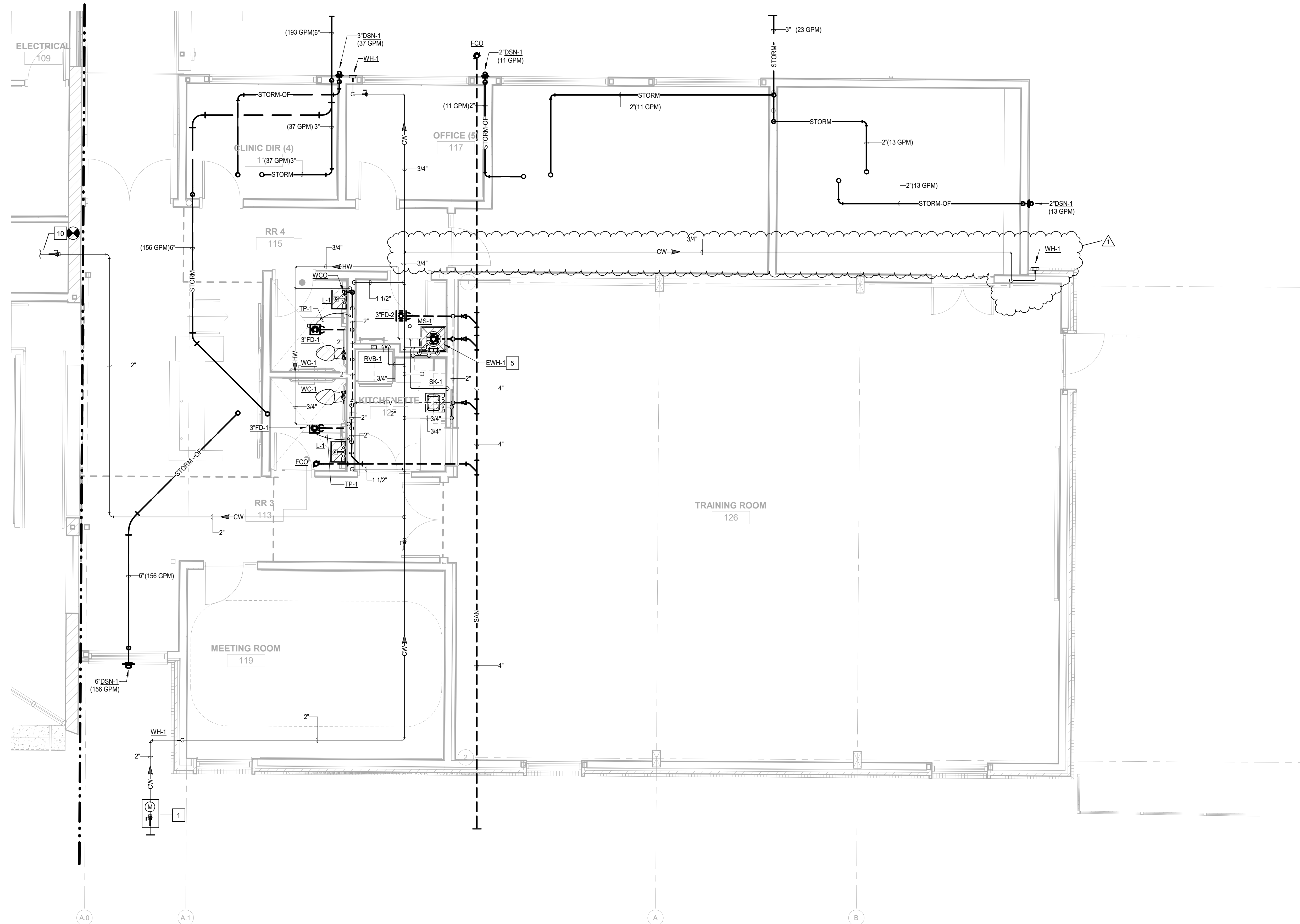


PLUMBING KEYED NOTES:

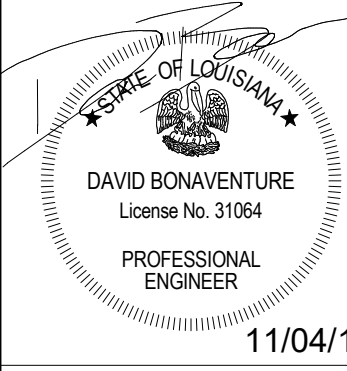
- 1 2" WATER ENTRY, SIZED FOR 65.5 TFD'S = 56 GPM, WITH SUGGESTED WATER METER SIZE OF 1-1/2". REFER TO WATER ENTRY DETAIL.
- 2 ROUTE 3/4" COLD WATER LINE UP TO ROOF TO SERVE RH-1.
- 3 2" VENT THROUGH ROOF.
- 4 4" VENT THROUGH ROOF.
- 5 REFER TO ELECTRIC WATER HEATER DETAIL.
- 6 REFER TO INSTANT WATER HEATER DETAIL.
- 7 ROUTE 1-1/2" COLD WATER AND 3/4" HOT WATER LINES DOWN WALL AND ACROSS TO SERVE PLUMBING FIXTURES.
- 8 ROUTE 3/4" COLD WATER LINE DOWN WALL TO SERVE SINK AND INSTANT WATER HEATER.
- 9 PROVIDE BRANCH WYE TAILPIECE AT LAVATORY.
- 10 TIE 2" DOMESTIC WATER LINE INTO EXISTING 2" WATER LINE AT EXISTING BUILDING, BACKFEED EXISTING PLUMBING FIXTURES. CONTRACTOR SHALL FIELD VERIFY EXACT TIE-IN LOCATION PRIOR TO CONSTRUCTION.



1 PLUMBING - ADDITION FLOOR PLAN
Scale: 1/4" = 1'-0"

11/14/2019 9:28:31 AM

architecture + planning + interiors
 1119 Tchoupitoulas Street
 New Orleans, LA 70130
 504.593.9074 tel
 www.studiowta.com
 WTA
 STUDIO



11/04/19

ST. BERNARD BEHAVIORAL HEALTH CENTER
 6624 ST. CLAUDE AVE. ARABI, LOUISIANA 70032

SHEET SIZE: 24" x 36"

REVISION #	DATE	ISSUE PURPOSE
1	11/14/19	ADDENDUM D

CONSTRUCTION DOCUMENTS

FLOOR PLAN - ADDITION

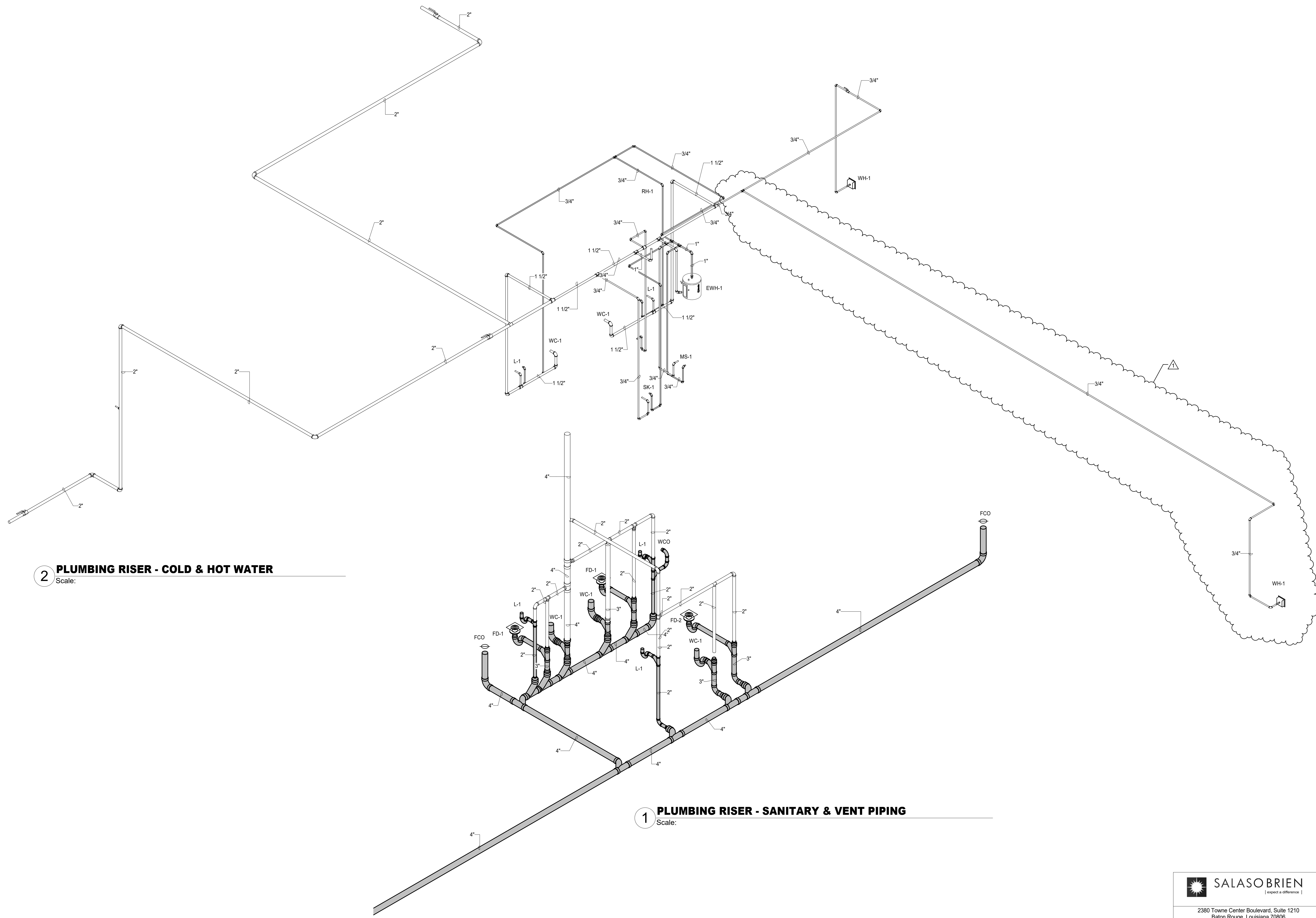
15 OCTOBER 2019

P121

© 2019 studioWTA

SALASOBRIEN
 [expect a difference]
 2380 Towne Center Boulevard, Suite 1210
 Baton Rouge, Louisiana 70806
 225.766.8002 | Registration No. 2964
 SOBE Project No. 2490-190279

11/14/2019 9:28:35 AM



2 PLUMBING RISER - COLD & HOT WATER

Scale:

1 PLUMBING RISER - SANITARY & VENT PIPING

Scale:

SALASOBRIEN
 [expect a difference]
 2380 Towne Center Boulevard, Suite 1210
 Baton Rouge, Louisiana 70806
 225.766.8002 | Registration No. 2964
 SOBE Project No. 2490-190279

REVISION #	DATE	ISSUE PURPOSE
1	11/14/19	ADDENDUM D

CONSTRUCTION DOCUMENTS

PLUMBING RISERS

15 OCTOBER 2019

P200

© 2019 studioWTA

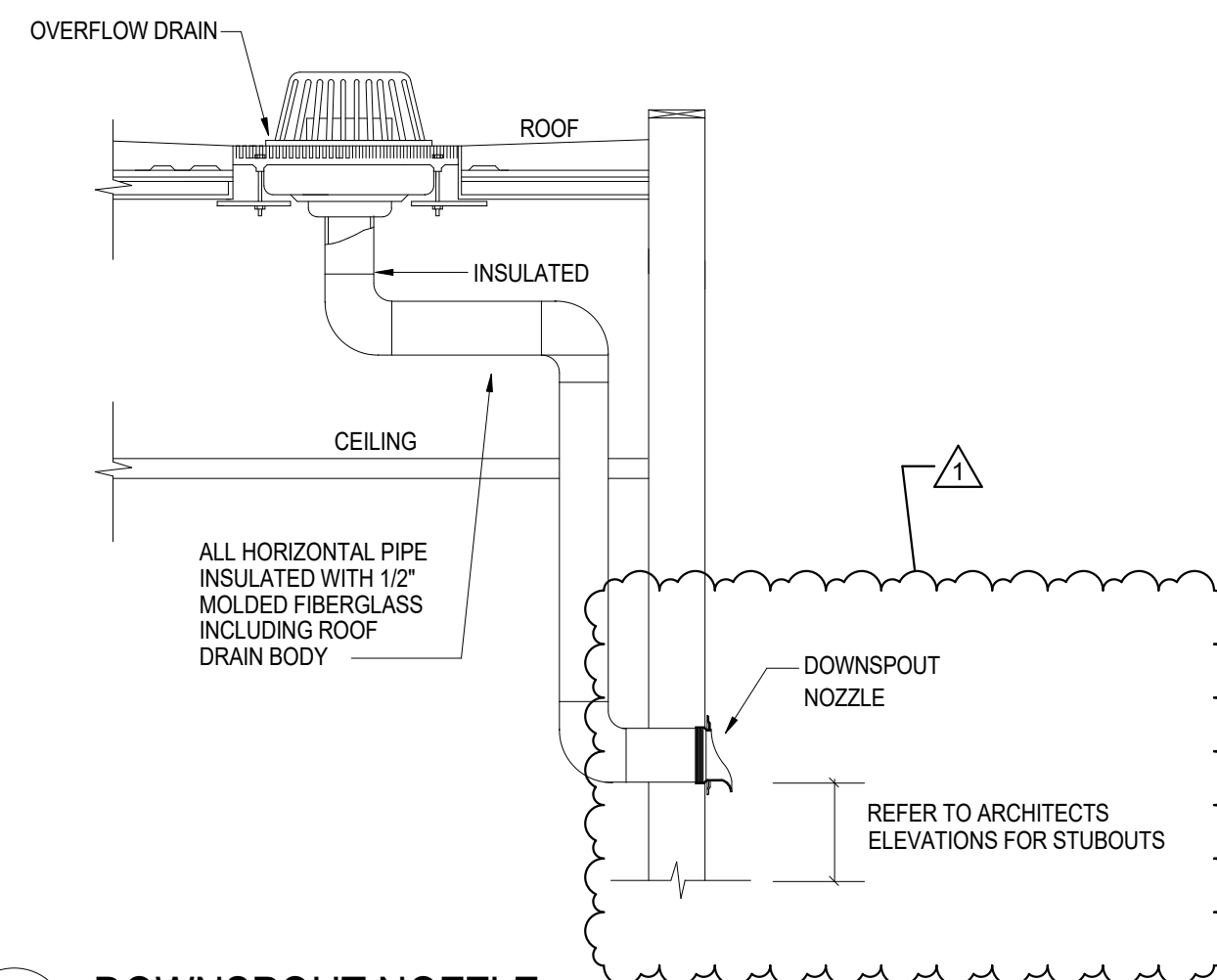
STATE OF LOUISIANA
 DAVID BONAVENTURE
 License No. 31064
 PROFESSIONAL ENGINEER
 11/04/19

ST. BERNARD BEHAVIORAL HEALTH CENTER
 6624 ST. CLAUDE AVE. ARABI, LOUISIANA 70032

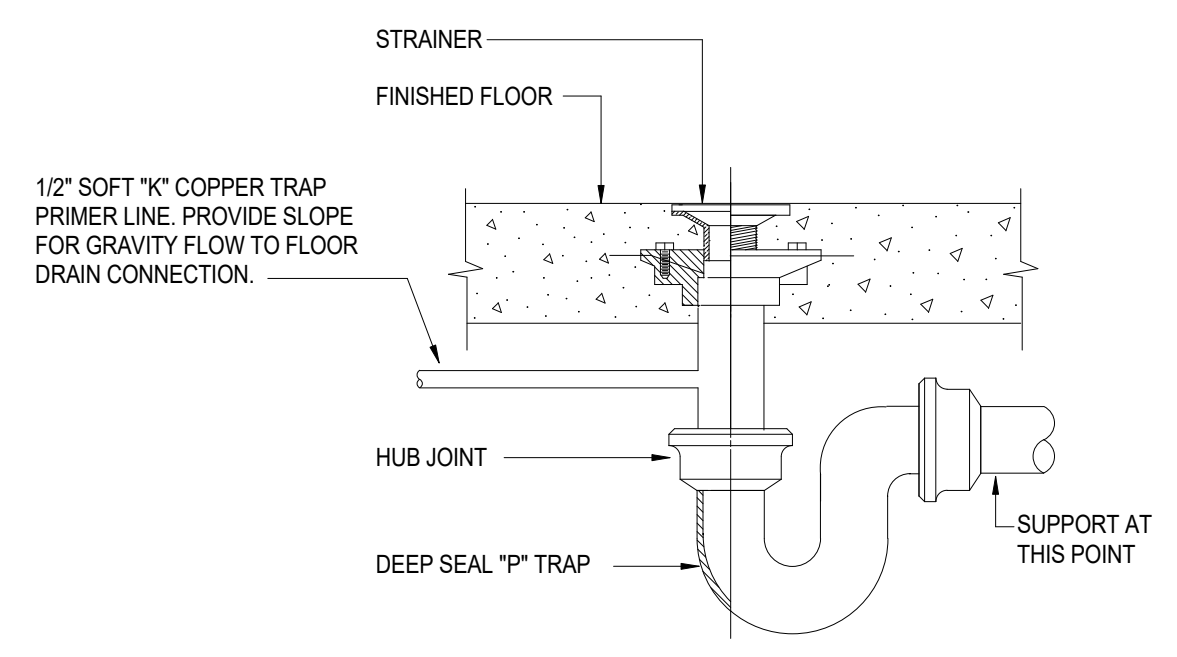
SHEET SIZE: 24" x 36"

STUDIO
 WTA

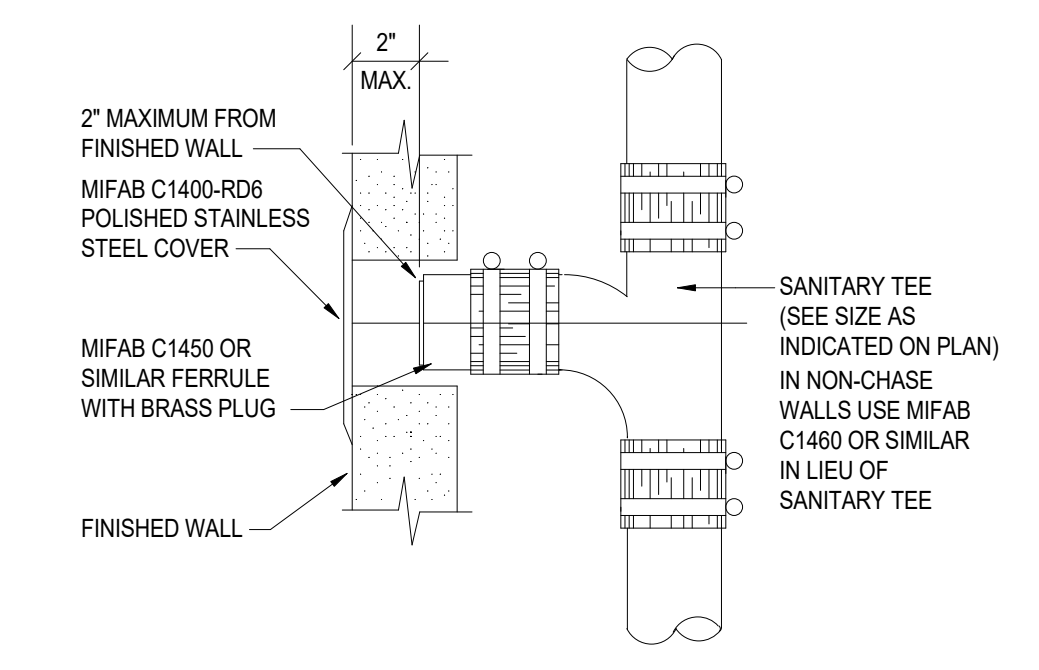
architecture + planning + interiors
 1119 Tchoupitoulas Street
 New Orleans, LA 70130
 504.593.9074 tel
 www.studiowta.com



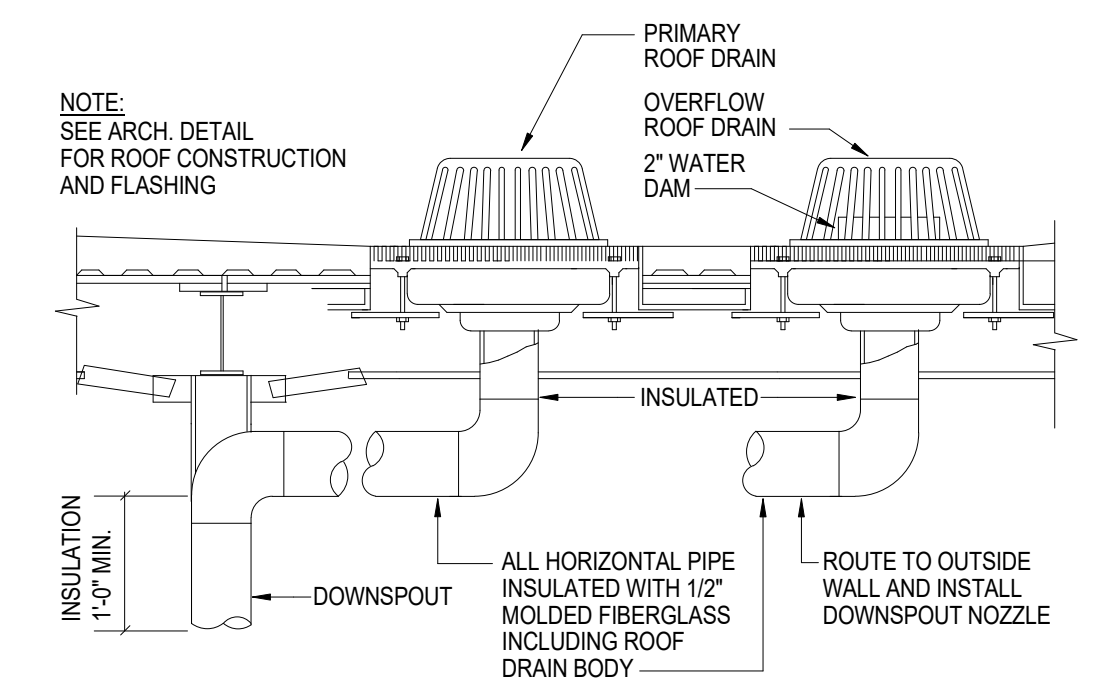
8 **DOWNSPOUT NOZZLE**
SCALE: NONE



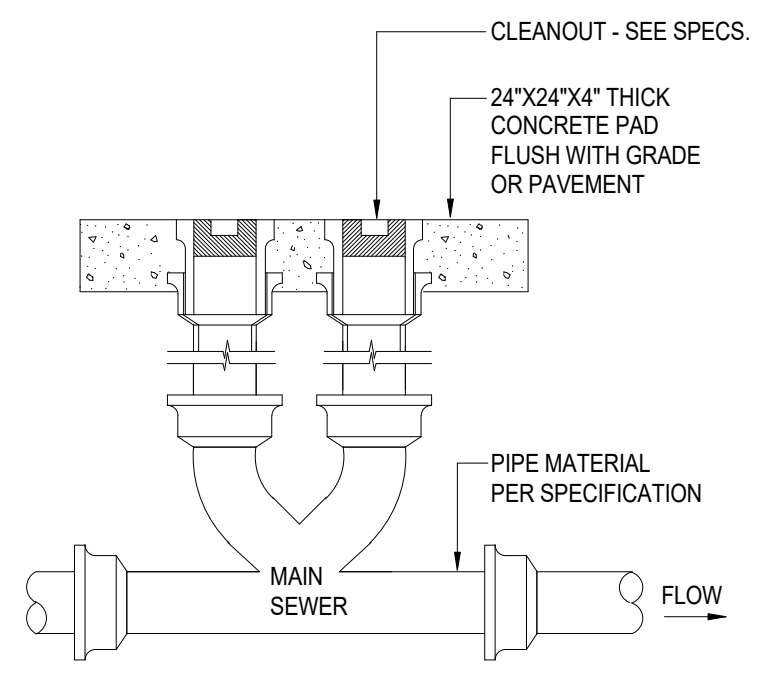
5 **FLOOR DRAIN DETAIL**
SCALE: NONE



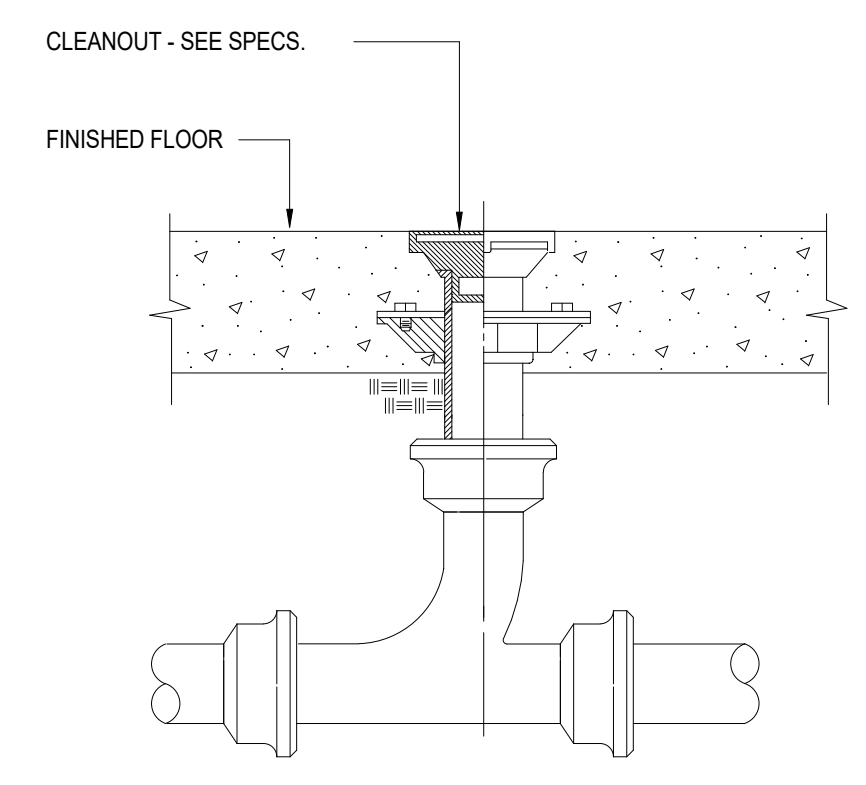
2 **WALL CLEANOUT**
SCALE: NONE



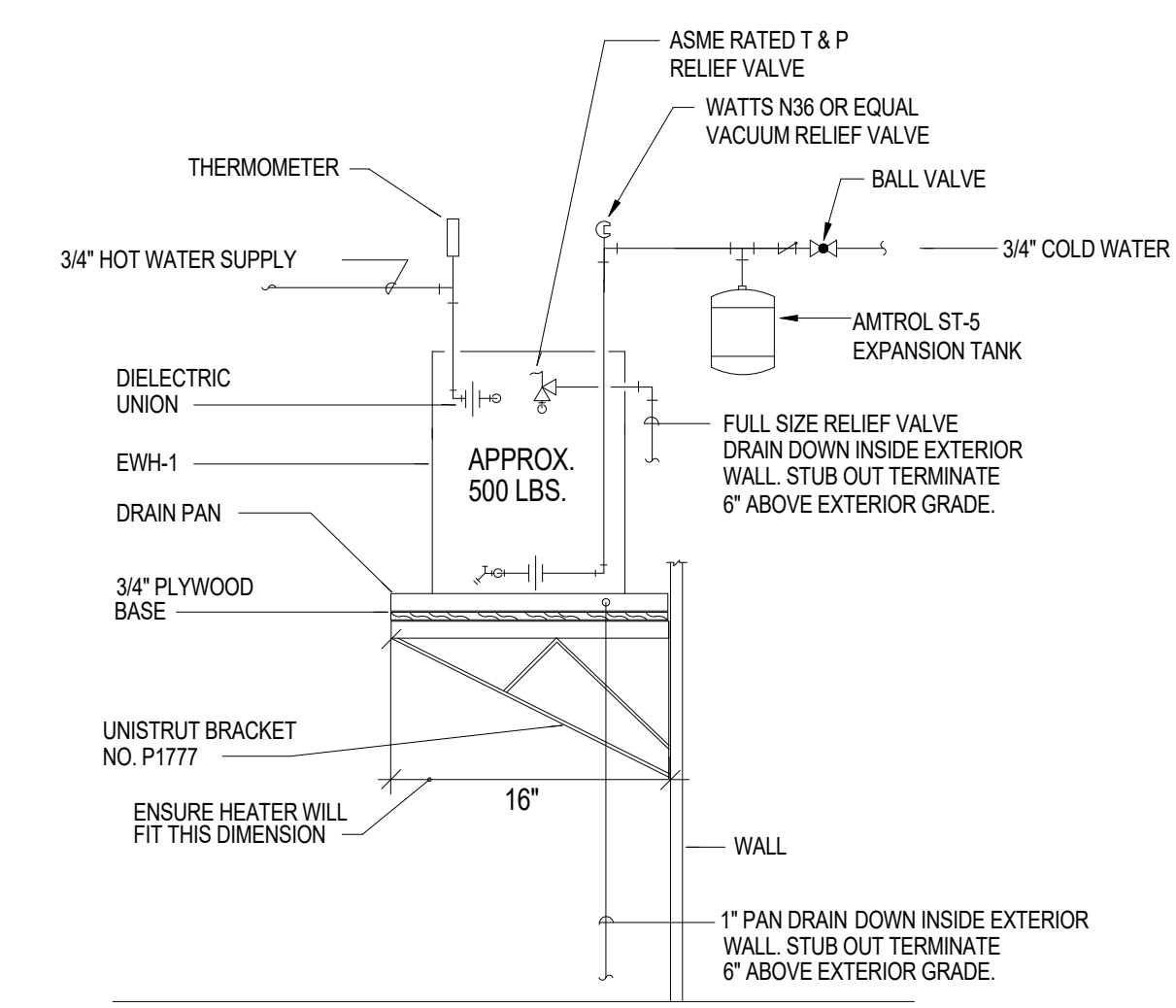
7 **ROOF DRAIN AND OVERFLOW DRAIN**
SCALE: NONE



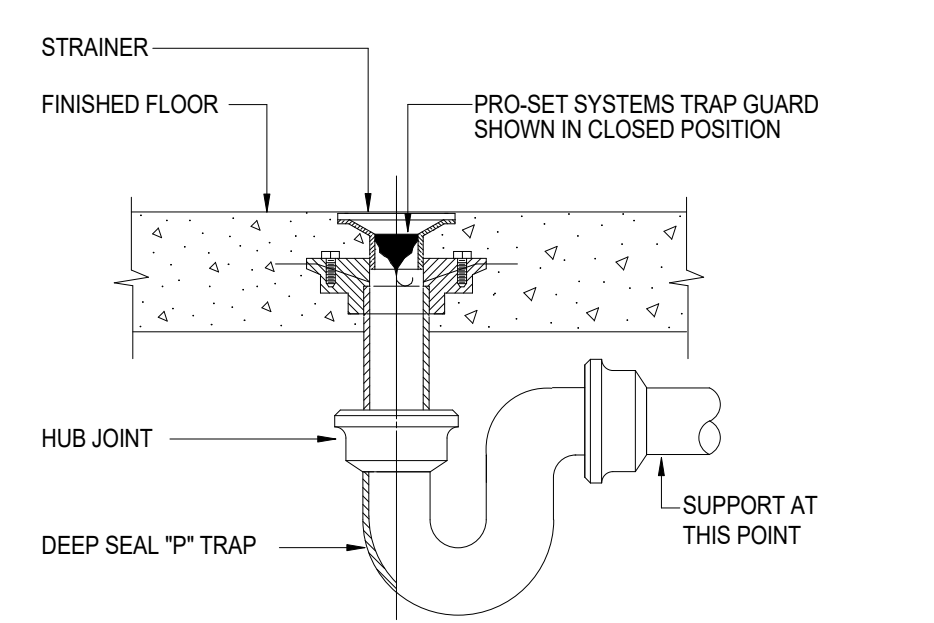
4 **TWO-WAY EXTERIOR CLEANOUT**
SCALE: NONE



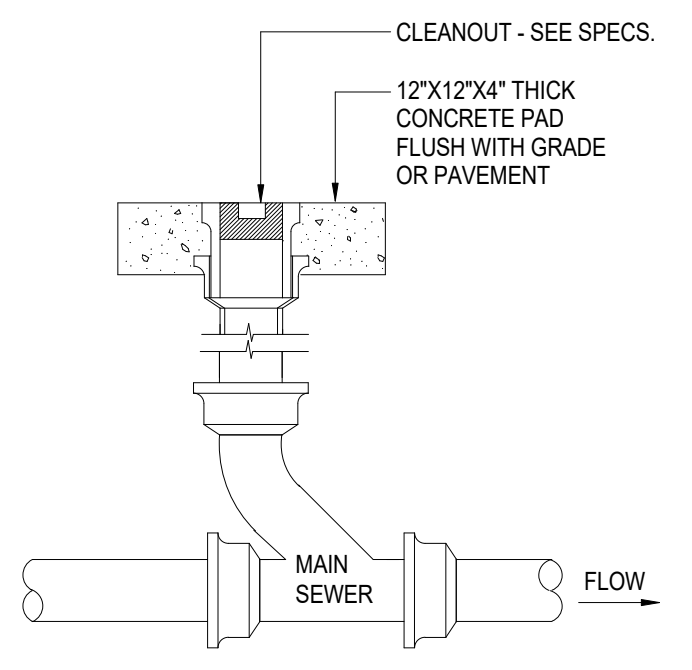
1 **FLOOR CLEANOUT**
SCALE: NONE



9 **ELECTRIC WATER HEATER (MOP SINK)**
SCALE: NONE



6 **TRAP SEAL PROTECTION**
SCALE: NONE



3 **EXTERIOR CLEANOUT**
SCALE: NONE

- NOTES:
- TRAP GUARD SHALL BE FACTORY FITTED TO MATCH EACH FLOOR DRAIN (AND FLOOR SINK) BY SIZE, MODEL, AND MANUFACTURER.
 - FLOOR SINK TRAP GUARD INSTALLATION IS SIMILAR.
 - INSTALLATION OF TRAP GUARD TO BE IN ACCORDANCE WITH MANUFACTURER'S RECOMMENDATIONS.
 - INSERT TRAP GUARD ONLY AFTER FINAL RODDING OF DRAINS. INSTALL TRAP GUARD WITH CLEAR SILICONE CAULK FOR GAS TITE SEAL. FOR DRAIN RODDING AFTER INSTALLATION, INSERT SEWER TAPE THROUGH LIGHTLY GREASED 1-1/2\"/>

REVISION #	DATE	ISSUE PURPOSE
1	11/14/19	ADDENDUM D

PLUMBING PIPING LEGEND	
SYMBOLS	DESCRIPTION
	SANITARY OR WASTE PIPING ABOVE GRADE (SAN)
	SANITARY OR WASTE PIPING BELOW GRADE (SAN)
	CONDENSATE - INDIRECT DRAIN PIPING (D)
	VENT PIPING (V)
	COLD WATER PIPING (CW)
	HOT WATER PIPING (HW)
	TRAP PRIMER LINE (TP)
	NATURAL GAS PIPING (G)
	FLOW DIRECTIONAL ARROW
	SHUT-OFF VALVE
	BALL VALVE (BV)
	HORIZONTAL SWING CHECK
	UNION
	PIPING DOWN
	RISE OR DROP PIPING
	PIPING UP -OR- PIPING UP & DOWN
	FLOOR CLEANOUT (FCO)
	EXTERIOR CLEANOUT WITH 18"x18"x4" CONCRETE PAD (ECO)
	TWO-WAY CLEANOUT (PROVIDE 18"x24"x4" CONCRETE PAD OUTSIDE)
	BRANCH CONNECTION OUT OF SIDE
	WYE & 1/8TH BEND BRANCH CONNECTION
	THERMOMETER
	GAS PRESSURE REGULATOR
	TEST COCK
	GAS METER
	WALL HYDRANT
	VALVE IN RISE
	ASME TEMPERATURE & PRESSURE RELIEF VALVE
	VACUUM RELIEF VALVE
	ANGLE VALVE
	REFER TO KEYED NOTE
	FLOOR DRAIN (FD)
	FLOOR DRAIN WITH P-TRAP (FD)
	HUB DRAIN (HD)
	EXISTING
	NEW
	NEW CONNECTION
	INVERT ELEVATION
	DELTA CHANGE SYMBOL

GENERAL NOTES	
1.	ALL WORK METHODS AND INSTALLATIONS INVOLVED IN THE PLUMBING DESIGN SHALL BE IN ACCORDANCE WITH THE CITY BUILDING CODE AND INSPECTION REGULATIONS AND ALL OTHER OFFICIALS HAVING JURISDICTION.
2.	THIS CONTRACTOR SHALL COORDINATE ROUTING OF PIPING IN CEILING SPACES WITH MECHANICAL AND ELECTRICAL EQUIPMENT, DUCTWORK AND CONDUIT. SHOULD A CONFLICT OCCUR THIS CONTRACTOR SHALL NOTIFY THE ARCHITECT/ENGINEER PRIOR TO INSTALLING AN ALTERNATE PIPING PLAN.

ELEC. WATER HEATER SCHEDULE							
ITEM NO.	KW INPUT	GALS. PER HR. RECOVERY RATE @ 100°F RISE	STORAGE CAPACITY	ELECTRICAL REQUIRED	MOCIP	STORED WATER TEMP	MANUFACTURER COMMENT
EW-1	2KW	8 GALLONS	30 GAL	120V/1P 60HZ	25	140°F	A.O. SMITH DEL-30-2 NON-SIMULTANEOUS

* IF THE MAXIMUM FUSE SIZE OF THE EQUIPMENT PROVIDED EXCEEDS THE SPECIFIED AMOUNT, THE CONTRACTOR SHALL BE RESPONSIBLE FOR ALL ADDITIONAL COSTS RELATED TO INCREASED FUSE SIZE / WIRE SIZE.

DOMESTIC HW EXPANSION TANK SCHEDULE						
ITEM NO.	DESCRIPTION	MAX. WORK PRESSURE	TANK VOL. GALLONS	MAX. ACCEPT GALLONS	DIAMETER INCHES	MANUFACTURER AND MODEL
ET-1	HOT WATER EXPANSION TANK	150 PSI	2.0	0.9	8"	AMTROL ST-5

NOTES:
1. ET-1 TO BE PIPED ON THE COLD WATER SUPPLY SERVING EW-1.

SHOCK ARRESTOR SCHEDULE			
P.D.I. SYMBOLS:	FIXTURE SYMBOLS:	CHAMBER LENGTH	SWEAT CONNECTION:
A	1-11	9-5/8"	1/2"
B	12-32	11-3/4"	3/4"
C	33-60	14-11/16"	1"
D	61-113	12-3/8"	1"
E	114-154	15-3/8"	1"
F	155-330	17-3/8"	1"

PLUMBING FIXTURE SCHEDULE	
<p>TYPE: WC-1 (A.D.A. COMPLIANT) WATER CLOSET, FLOOR MOUNTED, 1.6 GALLON PER FLUSH SIPHON JET ACTION, VITREOUS CHINA, ELONGATED BOWL WITH 1-1/2" TOP SPUD INLET AND BOLT COVERS. AMERICAN STANDARD "MADERA" 3043.001.</p> <p>SEAT: ELONGATED OPEN FRONT WHITE PLASTIC SEAT WITH SELF-SUSTAINING CHECK HINGES. CHURCH & DWIGHT.</p> <p>FLUSH VALVE: 1.6 GALLON FLUSH CYCLE, EXPOSED, CHROME PLATED CLOSER FLUSHOMETER, VACUUM BREAKER, SPUD COUPLING FOR 1-1/2" TOP SPUD. SLOAN ROYAL 111-1.6.</p> <p>ROUGH-INS: 4" WASTE, 3" VENT, 1" COLD WATER. REFER TO ARCHITECTURAL DRAWINGS FOR REQUIRED HEIGHT.</p>	<p>TYPE: SERVICE: FD-1 TOILET ROOMS</p> <p>DESCRIPTION: FLOOR DRAIN, BOTTOM OUTLET CAST IRON BODY, ADJUSTABLE 6" DIAMETER STAINLESS STEEL STRAINER WITH VANDAL PROOF SCREWS, 1/2" TRAP PRIMER CONNECTION. PROVIDE CLAMPING DEVICE FOR DRAINS IN MEMBRANE FLOOR AREAS. MIFAB F1100-6-3-7.</p> <p>ROUGH-INS: REFER TO FLOOR PLANS FOR SIZES. COORDINATE FINAL LOCATION AND INSTALLATION WITH ARCHITECTURAL DRAWINGS/FLOOR CONSTRUCTION.</p>
<p>TYPE: DESCRIPTION: L-1 (A.D.A. COMPLIANT) LAVATORY, WALL HUNG, VITREOUS CHINA, 20-1/2" X 18-1/4" BOWL WITH FRONT OVERFLOW, THREE FAUCET HOLES ON 4" CENTERS. AMERICAN STANDARD "LUCERNE" 0355.027.</p> <p>FAUCET: CHROME PLATED BRASS LAVATORY, SINGLE LEVER ON 4" CENTERS VANDAL RESISTANT AERATOR, 0.5 GPM. MOEN 8439F05.</p> <p>MIXING VALVE: THERMOSTATIC MIXING VALVE, 140 DEGREES IN, 110 DEGREES OUT, BRONZE FINISH. UNION CONNECTION, 5PSI PRESSURE DIFFERENTIAL, 0.5GPM MIN FLOW/4GPM MAX FLOW. SYMMONS "MAXLINE" 7-225-CK-W.</p> <p>STRAINER: 1-1/4" 17 GAUGE OFFSET WHEELCHAIR STRAINER, CHROME PLATED BRASS GRID DRAIN WITH ELBOW AND 17 GAUGE OFFSET TAILPIECE. MCGUIRE 155WC.</p> <p>P-TRAP: 1-1/4" 17 GAUGE CHROME PLATED HEAVY CAST BRASS TRAP WITH CLEANOUT AND EXTENSION TO WALL WITH ESCUTCHEON PLATE. MCGUIRE 8872.</p> <p>SUPPLIES: 1/2" I.P.S. X 3/8" O.D. WITH ESCUTCHEONS AND 3/8" COMPRESSION CHROME PLATED FLEXIBLE RISERS. MCGUIRE 2165.</p> <p>CARRIER: RECTANGULAR STEEL TUBING UPRIGHTS WITH WELDED 3" X 4-1/2" BASE ANCHORED TO CONCRETE WITH (4) 1/2" BOLTS, ADJUSTABLE SLEEVE, THREADED CONCEALED ARMS, ALIGNMENT BAR, LOCKING DEVICE, AND LEVELING SCREWS. MIFAB MC-31.</p> <p>ROUGH-INS: 2" WASTE, 2" VENT, 1/2" HOT AND COLD WATER. REFER TO ARCHITECTURAL DRAWINGS FOR REQUIRED HEIGHT.</p>	<p>TYPE: SERVICE: FD-2 GENERAL USE</p> <p>DESCRIPTION: ROOF DRAIN, BOTTOM OUTLET CAST IRON BODY, ADJUSTABLE 6" DIAMETER NICKEL BRONZE STRAINER WITH VANDAL PROOF SCREWS. PROVIDE CLAMPING DEVICE FOR DRAINS IN MEMBRANE FLOOR AREAS. MIFAB F1100-1-6-7.</p> <p>TRAP SEAL: PROVIDE PRO-SET SYSTEMS, INC. TRAP GUARD FACTORY FITTED TO MATCH EACH FLOOR DRAIN BY SIZE, MODEL, AND MANUFACTURER.</p> <p>ROUGH-INS: REFER TO FLOOR PLANS FOR SIZES. COORDINATE FINAL LOCATION AND INSTALLATION WITH ARCHITECTURAL DRAWINGS/FLOOR CONSTRUCTION.</p>
<p>TYPE: DESCRIPTION: SK-1 - KITCHENETTE SINK (A.D.A. COMPLIANT) SINGLE-COMPARTMENT SINK, UNDERMOUNTED, 18 GAUGE TYPE 304 STAINLESS STEEL, 16" X 16-1/2" X 5-3/8" D. ELKAY "LUSTERTONE" ELUHAD131655.</p> <p>FAUCET: CHROME PLATED FAUCET, SINGLE HANDLE WITH 9" SPOUT, VANDAL RESISTANT AERATOR WITH A MAX FLOW 1.5 GPM. MOEN 8701.</p> <p>MIXING VALVE: THERMOSTATIC MIXING VALVE, 140 DEGREES IN, 110 DEGREES OUT, BRONZE FINISH. UNION CONNECTION, 5PSI PRESSURE DIFFERENTIAL, 0.5GPM MIN FLOW/4GPM MAX FLOW. SYMMONS "MAXLINE" 7-225-CK-W.</p> <p>STRAINER: HEAVY DUTY STEEL BASKET STRAINER WITH 1-1/2" TAILPIECE AND LOCK NUTS. MCGUIRE 151A.</p> <p>P-TRAP: 1-1/2" 17 GAUGE CHROME PLATED CAST BRASS TRAP WITH CLEANOUT AND EXTENSION TO WALL WITH ESCUTCHEON PLATE. MCGUIRE 8912.</p> <p>SUPPLIES: 1/2" I.P.S. X 3/8" O.D. WITH ESCUTCHEONS AND 3/8" COMPRESSION CHROME PLATED FLEXIBLE RISERS. MCGUIRE 2165.</p> <p>ROUGH-INS: 2" WASTE, 2" VENT, 1/2" HOT AND COLD WATER. REFER TO ARCHITECTURAL DRAWINGS FOR REQUIRED HEIGHT.</p>	<p>TYPE: SERVICE: RD-1 ROOF DRAIN, CAST IRON WITH FLANGE, FLASHING RING AND CAST IRON DOME. PROVIDE EXTENSION, ROOF SUMP RECEIVER, AND UNDERDECK CLAMP AS REQUIRED FOR ROOF CONSTRUCTION. MIFAB R1100-B-U-1.</p> <p>ROUGH-INS: REFER TO FLOOR PLANS FOR SIZES. COORDINATE FINAL LOCATION AND INSTALLATION WITH ARCHITECTURAL DRAWINGS/FLOOR CONSTRUCTION.</p>
<p>TYPE: DESCRIPTION: MS-1 MOP SINK BASIN, 24" X 24" X 12". PRECAST TERRAZZO WITH 6" DROPPED FRONT, STAINLESS STEEL THRESHOLD CAP, AND STAINLESS STEEL GRID STRAINER DRAIN. STERN WILLIAMS SBC-1800-T35-T40-BP.</p> <p>FAUCET: CHROME PLATED BRASS FAUCET WITH INTEGRAL CHECK AND SHUT OFF STOP, WALL MOUNTED, VACUUM BREAKER SPOUT WITH BUCKET HOOK AND 3/4" HOSE THREAD OUTLET. VANDAL RESISTANT HANDLES, ADJUSTABLE TOP BRACE. CHICAGO 445-897SRCKCP.</p>	<p>TYPE: SERVICE: WCO WALL CLEANOUT, CAST IRON CLEANOUT FERRULE WITH DUCTILE IRON COMBINED COVER/PLUG AND ROUND STAINLESS COVER PLATE WITH CENTER SECURING SCREW. MIFAB C1450 WITH C1400-RD6. PROVIDE MIFAB C1460 CAST IRON CLEANOUT TEE IN LIEU OF FERRULE AS REQUIRED FOR WALL CONSTRUCTION.</p>
<p>TYPE: DESCRIPTION: WH-1 WALL HYDRANT, 3/4" INLET, CLOSED COUPLED CHROME PLATED BRASS FINISH WITH ANTI-SIPHON VACUUM BREAKER AND LOOSE TEE KEY. INSTALL WITH BOTTOM OF HYDRANT 24" A.F.F. WOODFORD MODEL 879.</p>	<p>TYPE: SERVICE: ECO EXTERIOR CLEANOUT TO GRADE, CAST IRON BODY WITH THREADED ADJUSTABLE HOUSING, FERRULE WITH TAPERED BRASS PLUG, AND ROUND SCORIATED CAST IRON TRACTOR TYPE COVER WITH SECURITY SCREWS. MIFAB C-1100.</p>
<p>TYPE: DESCRIPTION: RVB-1 REFRIGERATOR VALVE BOX, 4-3/8" X 4-1/8", METAL POWDER COATED FINISH AND 1/4" TURN VALVE. PROVIDE FILTER WHEN MAKING FINAL CONNECTION. GUY GRAY MIB WITH AQUA-PURE A9717 FILTER.</p> <p>ROUGH-INS: 3/4" COLD WATER. COORDINATE ROUGH-IN LOCATION/HEIGHT, FINAL CONNECTION WITH EQUIPMENT BEING INSTALLED AND WITH ARCHITECT/CASEWORK DRAWINGS.</p>	<p>TYPE: SERVICE: FCO FLOOR CLEANOUT, CAST IRON BODY WITH SECONDARY O-RING TEST SEAL AND ADJUSTABLE COMBINED ACCESS COVER/PLUG TOP ASSEMBLY WITH PRIMARY GASKET SEAL, AND ROUND SCORIATED NICKEL BRONZE COVER. MIFAB C1100-R-1.</p>
<p>GENERAL NOTES:</p> <p>ALL LAVATORIES AND SINKS SHALL BE SUPPLIED WITH HOT AND COLD WATER TO FAUCETS AS INDICATED ON PLANS AND FIXTURE SCHEDULE. PROVIDE CHROME PLATED BRASS SUPPLY STOPS WITH LOOSE KEYS AND WALL ESCUTCHEONS. PROVIDE CHROME PLATED FLEXIBLE RISERS OF SIZE REQUIRED TO PROPERLY CONNECT FIXTURES. PROVIDE 17 GAUGE CHROME PLATED CAST BRASS P-TRAP WITH CLEANOUT AND EXTENSION TO WALL WITH ESCUTCHEON. REFER TO SPECIFICATIONS FOR ACCEPTABLE MANUFACTURERS AND FIXTURE SCHEDULE FOR MINIMUM SIZES OF PLUMBING FIXTURE ROUGH-INS.</p> <p>PROVIDE MOLDED CLOSED CELL ANTI-MICROBIAL VINYL INSULATION KITS AT ALL LAVATORIES AND SINKS REQUIRED TO BE A.D.A. ACCESSIBLE (MCGUIRE OR TRUEBRO). ALL SUCH FIXTURES AND FINAL INSTALLATIONS SHALL COMPLY WITH THE AMERICANS WITH DISABILITIES ACT (A.D.A.).</p> <p>INSERT TRAP GUARDS AFTER FINAL RODDING OF DRAINS. INSTALL TRAP GUARD WITH CLEAR SILICONE CAULK FOR GAS-TIGHT SEAL. FOR DRAIN RODDING AFTER INSTALLATION, INSERT SEWER TAPE THROUGH LIGHTLY GREASED 1-1/2" PVC PIPE TO PROTECT TRAP GUARD.</p> <p>APPROVED EQUAL MANUFACTURERS AND MODEL NUMBERS CAN BE PROVIDED FOR THE MANUFACTURERS AND MODEL NUMBERS OF THE FIXTURES AND EQUIPMENT LISTED IN THE ABOVE SPECIFICATIONS.</p>	

1/14/2019 9:28:35 AM

architecture + planning + interiors
1119 Tchoupitoulas Street
New Orleans, LA 70130
504.593.9074 tel
www.studiowta.com

STUDIO WTA



ST. BERNARD BEHAVIORAL HEALTH CENTER
6624 ST. CLAUDE AVE. ARABI, LOUISIANA 70032

SHEET SIZE: 24" x 36"

REVISION #	DATE	ISSUE PURPOSE
1	11/14/19	ADDENDUM D

CONSTRUCTION DOCUMENTS

PLUMBING SCHEDULES

15 OCTOBER 2019

P300

© 2019 studioWTA

SALASOBRIEN
[expect a difference]

2380 Towne Center Boulevard, Suite 1210
Baton Rouge, Louisiana 70806
225.766.8002 | Registration No. 2964
SOBE Project No. 2490-190279